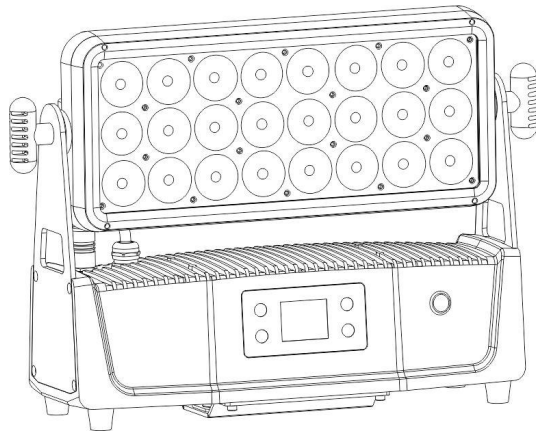


24x15W RGBWAUV OUTDOOR BATTERY FLOOD LIGHTS



This product manual contains important information about use of this projector. Please read and follow these instructions carefully and keep this manual in a safe place for future reference.

User manual

Please read the instructions carefully before use

Warning

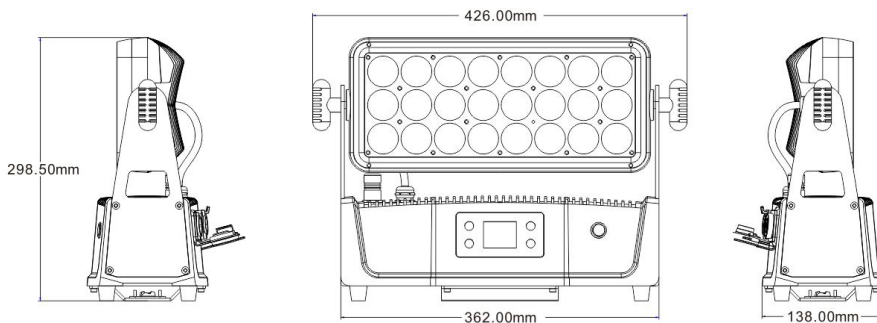
- Do not open this device, there are no user serviceable parts inside. Risk of electric shock.
- Do not look directly at the light source from close range.
- Avoid contact with the unit during operation, as the housing may become hot. Allow the fixture to cool for at least 15 minutes after turning off before touching.
- Install this device in a location with adequate ventilation, at least 50cm from adjacent surfaces.
- Do not operate this device, or connect this device to power, within 50cm of any flammable material.
- Use a safety chain when mounting this device overhead.
- Do not operate this device outdoors where excessive dust, heat, water, or humidity may affect it.
- This device is IP65 certified, meaning that it is protected against dust ingress, and protected against low pressure water jets from any direction. Ensure all protective covers are sealed correctly.
- Do not operate this device if the housing, lenses, or cables appear damaged.
- Do not connect this device to a dimmer or rheostat.
- Do not operate this device at temperatures higher than 40°C (104°F).
- **Only** connect this device to a grounded and protected circuit.
- **Only** use the hanging bracket to carry this device.
- Stop using this device immediately if a serious operating problem becomes apparent.

IMPORTANT: Only use the provided Outdoor DMX cable in the device's DMX out port. Use of other cables will cause the cable to become stuck in the port, requiring the unit to be repaired.

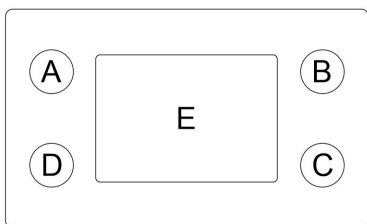
Product Installation

The flood lights can be mounted in many orientations, provided each individual device is secured by the use of the correct mounting bracket. Use a safety chain when mounting the flood lights overhead.

Dimensions



Control Operation



Button Operation

Menu (A) : Return to the previous screen.

Up (B) : Move selection up.

Down (C) : Move selection down.

Enter: (D) Confirm the selection.

Menu

Set DMX Address Code

Press Menu until “Address Set” is highlighted then press Enter.

1. The screen will display “Address Set: 001”. Press **Up** or **Down** to change.
2. Press **Enter** to save and exit, or press **Menu** to exit without saving.

Menu Description

Level 1	Level 2	Level 3	Description
DMX Setting	DMX address	000-512	DMX Address Setting
	Channel	6ch	6 channel DMX mode
		9ch	9 channel DMX mode
	W-DMX setting	On/Off	Turn Wireless DMX on or off
	W-DMX FREQ	1CH - 7CH	Choose the wireless channel
	Channel List	6ch	6 channel DMX mode list
9ch		9 channel DMX mode list	
System	Display Sleep		Open/10s/20s/30s
	Dimmer Mode	Linear	
		Square	
		Log	
	Power Setting	High	
		Normal	
		ECO	
Button	On/Off	Unlock: press button	

Setting	Lock		up>down>up>down>enter
	Lost DMX	Clear	Black out the unit when DMX signal is lost
		Hold	Maintain the last setting when DMX signal is lost.
	Emergency	Yes/No	When use the Powered and setting to Yes,if the power gose out, will turn on the white color
Reset	Yes/No	Reset all settings to factory defaults	
Manual Control	Manual dimming	R/G/B/W/A /UV	All colour manual dimmer (0-255)
		Strobe	Master strobe speed(0-99)
	Static Colour	C1-C36	Select static colour mode
	Auto	Jump	Colour Jump mode. Adjustable speed (0-99)
		Fade	Colour Fade mode. Adjustable speed (0-99)
		Pulse	Colour Pulse mode. Adjustable speed (0-99)
		Combined	Combination of Jump, Fade and Pulse. Adjustable speed (0-99)
Timer		Setting the runtime of static colour or Auto	
	Clear	Yes/No	Clear manual dimmer value and Strobe speed and Auto speed to 000 in the fixture
	User colour		Custom Colour
	User run		Run the custom colour
Information	Work time		Working time of the model
	Temp		Display current temperature
	Version		Version number
	RDM UID		

Wireless transmitter



There is status lamp on transmitter, it have 7 colors, corresponding to 7 wireless dmx channels in light. .

CH1>>RED, CH2>>GREEN, CH3>>RED+GREEN,

CH4>>BLUE CH5>>RED+BLUE CH6>>BLUE+GREEN

CH7>>RED+BLUE+GREEN

DMX Chart

6-Channel Mode

Channel	Value	Function	Description
1	0-255	Red Intensity	Red 0-100%
2	0-255	Green Intensity	Green 0-100%
3	0-255	Blue Intensity	Blue 0-100%
4	0-255	White Intensity	White 0-100%
5	0-255	Amber Intensity	Amber 0-100%
6	0-255	UV Intensity	UV 0-100%

9-Channel Mode

Channel	Value	Function	Description
1	0-255	Master Dimmer	All colours 0-100%
2	0-255	Red Intensity	Red 0-100%
3	0-255	Green Intensity	Green 0-100%
4	0-255	Blue Intensity	Blue 0-100%
5	0-255	White Intensity	White 0-100%
6	0-255	Amber Intensity	Amber 0-100%
7	0-255	UV Intensity	UV 0-100%
8	0-9	Strobe	Strobe off
	10-255		Strobe speed adjustment
9	0-255	Colour	Built-in static colour

Technical Specifications

Power

Input Voltage: 100~240V AC, 50/60 Hz.

Connection: Seetronic True1 Outdoor Power in/out.

Battery: 24000 mAh, 24V

Battery charging time: 6.5 hours from 0-100%

Photometrics

Light Source: 24x15W RGBWA UV LEDs.

Beam Angle: 25°.

PWM: 20,000 Hz

LED Lifespan: 50,000 hours.

Effects

Dimming: 0-100%.

Strobe: 1-20 Hz.

Control

Control mode: DMX512, 2.4G Wireless DMX

DMX Channels: 6 / 9CHs

Interface: Outdoor 3-pin XLR in and Outdoor 3-pin XLR out.

Built-in Programming: 4 built-in auto modes.

Display: TFT Display with 4-button control.

Cooling: No fan

Housing

Materials: Die Cast Aluminium.

Finishing: Matte Black.

IP Rating: IP65.

Net Weight: 10.7kg

Overall Size: 426x138x298.5 mm.

Optional: Barn Door. Filter frames